



## DESCRIPTION

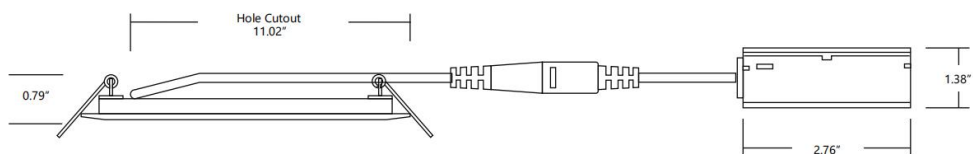
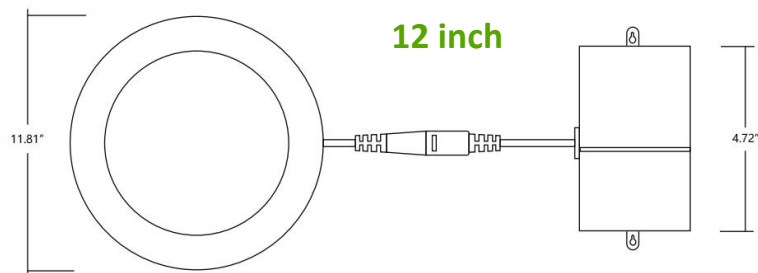
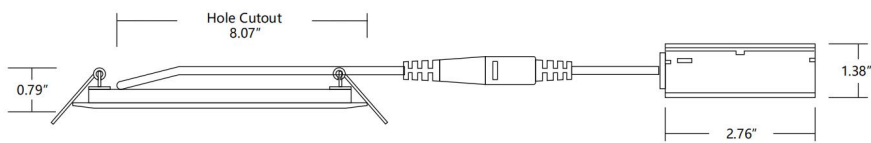
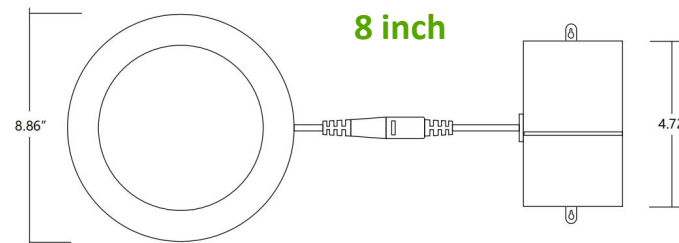
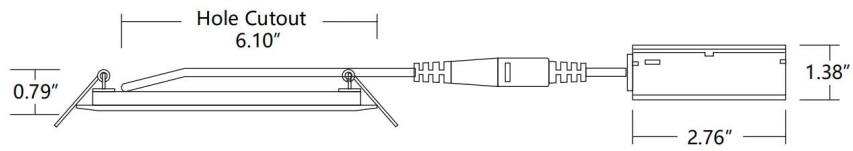
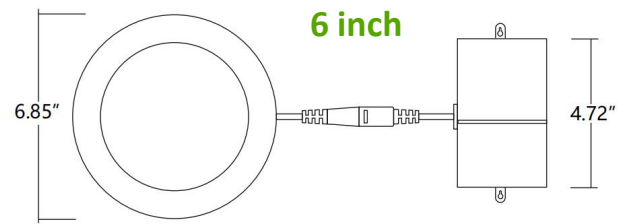
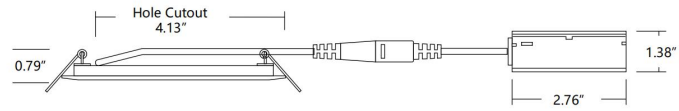
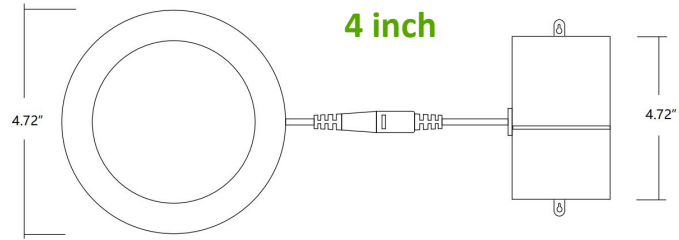
- Flicker free
- 80% energy saving to incandescent
- Type IC
- Suitable for Damp Locations
- Compatible with most dimmers down to 10%
- No need recessed housing

## SPECIFICATION

- Shape: Round
- Finish: Architectural White
- Dim: Triac dimmable
- Input Voltage: 120V, 50/60 Hz
- CCT Options by switch: 2700K/3000K/3500K/4000K/5000K
- IP Rank: IP44
- Lifetime : 50,000 hours

Model	Size	Watts	Lumen	CRI	PF	Bean Angle
KOK-4EJCT09SR05	4 Inch	9W	600lm	>90	>0.9	100°
KOK-6EJCT12SR05	6 Inch	12W	840lm			
KOK-6EJCT15SR05		15W	1050lm			
KOK-8EJCT18SR05	8 Inch	18W	1260lm			
KOK-12EJCT24SR05	12 Inch	24W	1680lm			

**SIZE**



## INSTALLATION

### STEP1:

Turn off the power before installation. Remove the existing bulb and if necessary remove the existing trim. open the hole on the mounting surface according to the size of fixture.

Fixture Size	3"	4"	6"	8"	12"
Hole Size	2 61/64 inches	4 21/64 inches	6 19/64 inches	8 5/64 inches	11 1/32 inches

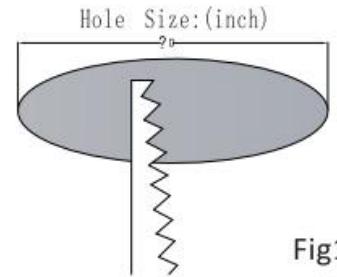


Fig1

### STEP2:

Open the junction box,connect the power cable,as shown in Fig 2

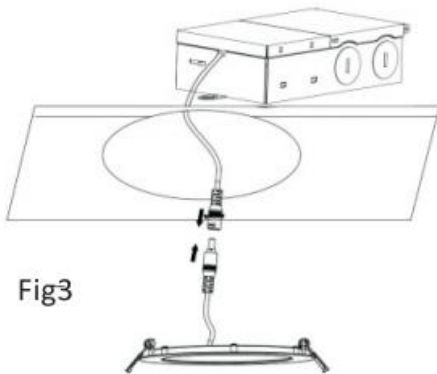


Fig3

### 3 IN 1 5 IN 1

- 3000K
- 4000K
- 5000K
- 2700K
- 3000K
- 3500K
- 4000K
- 5000K

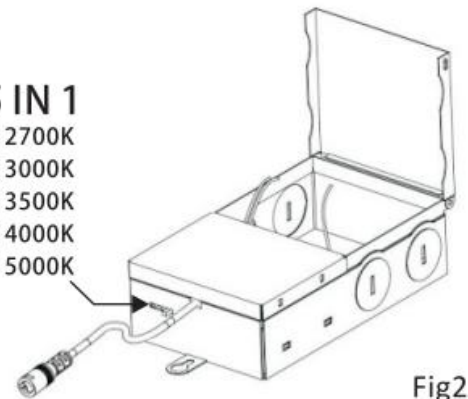


Fig2

### STEP3:

Connect the fixture with power cable and the junction box, as shown in Fig 3

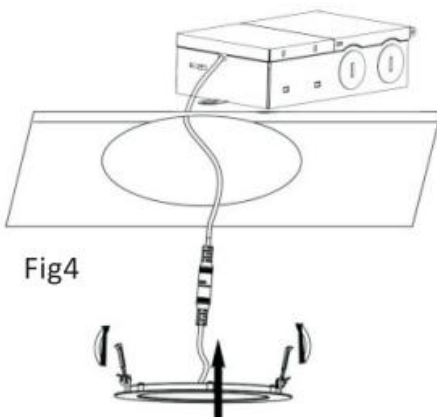


Fig4

### STEP4:

Install the fixture to ceiling surface,as shown in Fig4

### STEP5:

Turn on the power after installation, check the fixture can work well,as shown in Fig5.

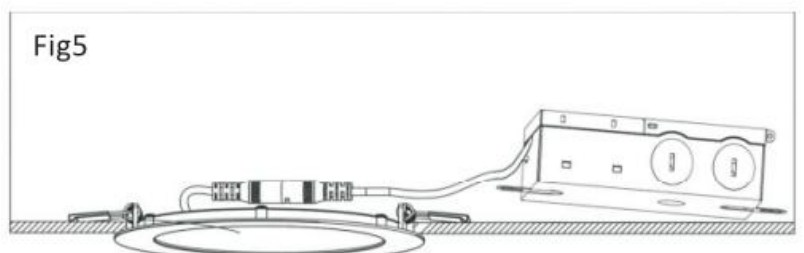


Fig5