



DESCRIPTION

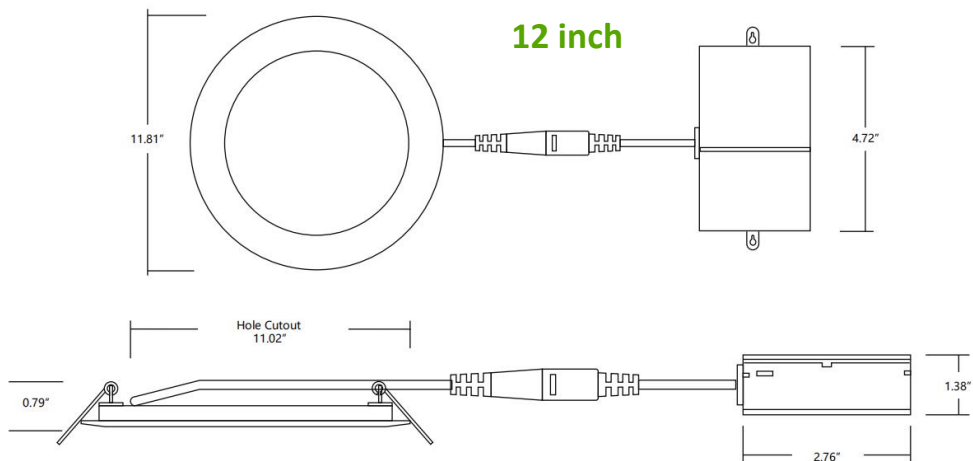
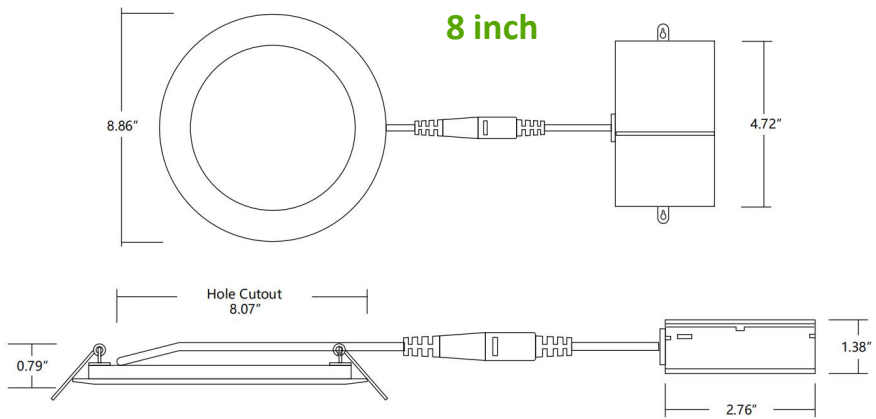
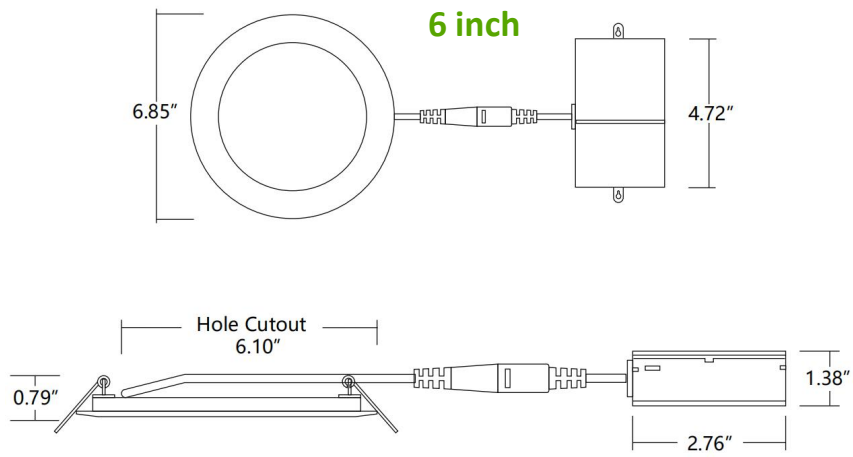
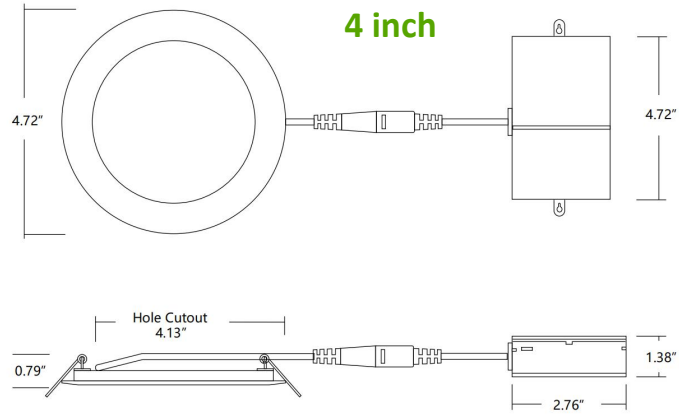
- Flicker free
- 80% energy saving to incandescent
- Type IC
- Suitable for Damp Locations
- Compatible with most dimmers down to 10%
- No need recessed housing

SPECIFICATION

- Shape: Round
- Finish: Architectural White
- Dim: Triac dimmable
- Input Voltage: 120V, 50/60 Hz
- CCT Options by switch: 3000K/4000K/5000K
- IP Rank: IP44
- Lifetime : 50,000 hours

Model	Size	Watts	Lumen	CRI	PF	Bean Angle
KOK-4EJCT09SR03	4 Inch	9W	600lm	>90	>0.9	100°
KOK-6EJCT12SR03	6 Inch	12W	840lm			
KOK-6EJCT15SR03		15W	1050lm			
KOK-8EJCT18SR03	8 Inch	18W	1260lm			
KOK-12EJCT24SR03	12 Inch	24W	1680lm			

SIZE

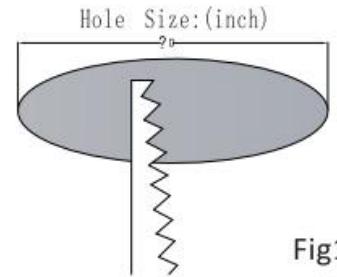


INSTALLATION

STEP1:

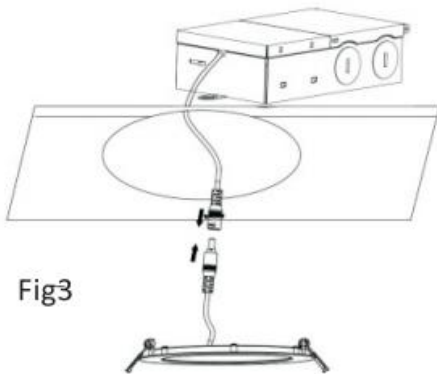
Turn off the power before installation. Remove the existing bulb and if necessary remove the existing trim. open the hole on the mounting surface according to the size of fixture.

Fixture Size	3"	4"	6"	8"	12"
Hole Size	2 61/64 inches	4 21/64 inches	6 19/64 inches	8 5/64 inches	11 1/32 inches



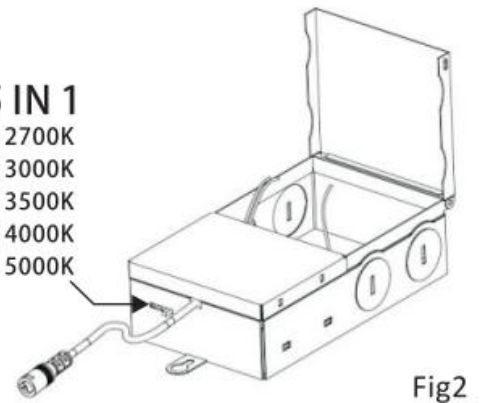
STEP2:

Open the junction box,connect the power cable,as shown in Fig 2



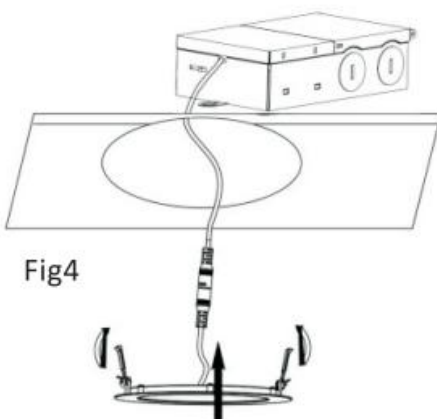
3 IN 1 5 IN 1

- 3000K
- 4000K
- 5000K
- 2700K
- 3000K
- 3500K
- 4000K
- 5000K



STEP3:

Connect the fixture with power cable and the junction box, as shown in Fig 3



STEP4:

Install the fixture to ceiling surface,as shown in Fig4

STEP5:

Turn on the power after installation, check the fixture can work well,as shown in Fig5.

