

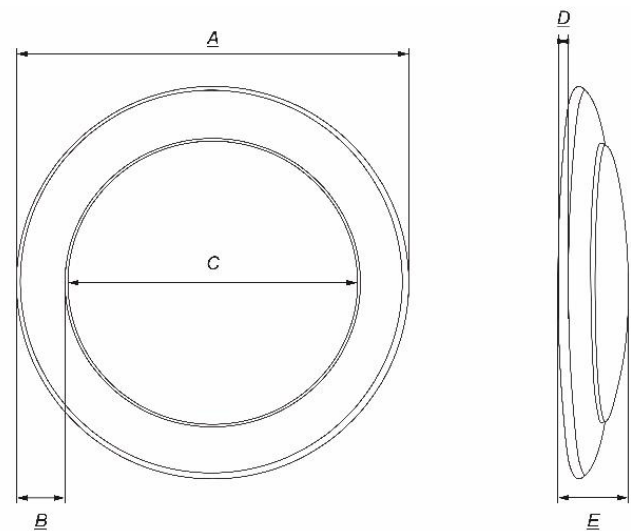


DESCRIPTION

- Fits most 4" J-boxes and 5-6" recessed housings
- 80% energy saving to incandescent
- Instant on
- Suitable for Damp Locations
- Compatible with most dimmers down to 10%

SPECIFICATION

- Finish: Architectural White
- Mounting: Recessed Downlight
- Input Voltage: 120V, 50/60 Hz
- Power Factor: >0.9
- Wattage : 10W/15W
- CCT Options: 2700K/3000K/4000K/5000K
- Efficacy: 70lm/W
- CRI: >90
- Dim: Triac dimmable
- IP Rank: IP40
- Lifetime : 50,000 hours
- Certificate : ETL, Energy Star



A : 7.46"

B : 3.5"

C : 1.6"

D : 3.5"

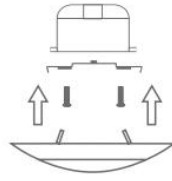
E : 3.5"

Model	Watts	Color	Lumen	Equivalent
KOK-4HV10XXHR	10W	2700K/3000K/4000K/5000K	700lm	65W
KOK-6HV15XXHR	15W	2700K/3000K/4000K/5000K	1200lm	100/120W

Installation

4" J-BOX

ACCESSORIES INCLUDED:



- Attach mounting bracket to J-box
- Click downlight into mounting bracket



Mounting Bracket



J-Box Screws



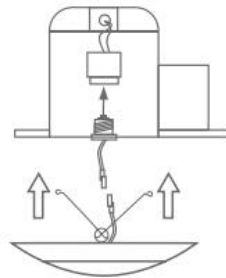
Wire Nuts



LED Adapter

5-6" CAN

ACCESSORIES SOLD SEPARATELY:



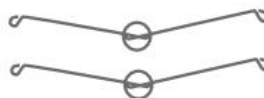
- Connect E26 adapter to the LED adapter
- Squeeze mounting springs and push downlight up until flush with ceiling



E26 Adapter



LED Adapter



Mounting Springs