

DESCRIPTION

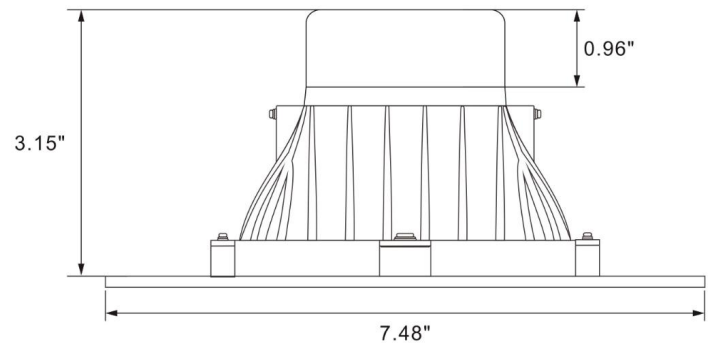
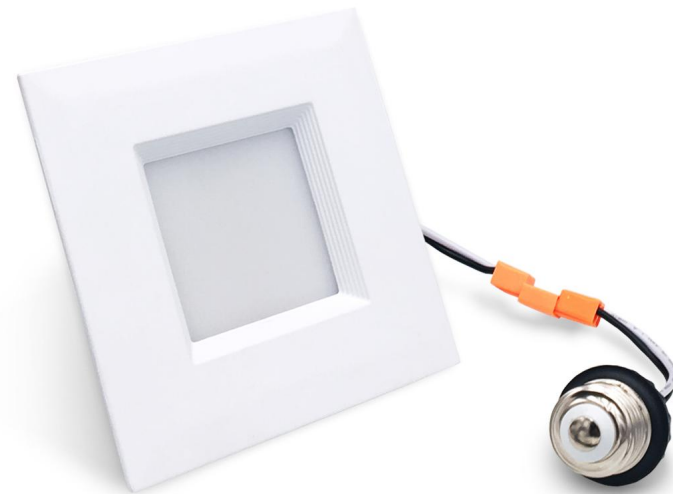
- 80% energy saving to incandescent/halogen bulbs
- Fits most 5/6 inch cans
- Instant on
- Suitable for Damp Locations
- Compatible with most dimmers down to 5%
- No tools required for installation

SPECIFICATION

- Housing Material: Aluminum
- Finish: Architectural White
- Mounting: Recessed Downlight Retrofit
- Input Voltage: 120V, 50/60 Hz
- Power Factor: >0.9
- Wattage : 12W/15W
- CCT Options: 2700K/3000K/4000K/5000K
- Efficacy: 75lm/W
- CRI: >90
- Dim: Triac dimmable
- IP Rank: IP40
- Base : E26/GU24
- Lifetime : 50,000 hours

CERTIFICATES

- Title 24
- Energy Star
- ETL



Size	Model	Watts	Color	Lumen	Equivalent	Base
6 inch	6CV12-XXLS	12W	2700K/3000K/4000K/5000K	900lm	85W	E26/GU24
6 inch	6CV15-XXLS	15W	2700K/3000K/4000K/5000K	1,125lm	100/120W	E26/GU24