

DESCRIPTION

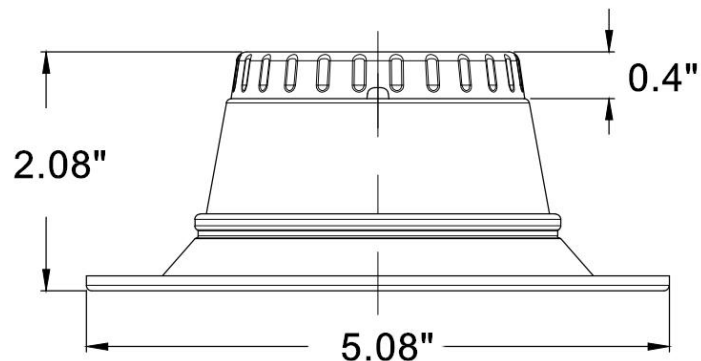
- 80% energy saving to incandescent/halogen bulbs
- Fits most 4 inch cans
- Instant on
- Suitable for Damp Locations
- Compatible with most dimmers down to 10%
- No tools required for installation

SPECIFICATION

- Housing Material: Aluminum
- Finish: Architectural White
- Mounting: Recessed Downlight Retrofit
- Input Voltage: 120V, 50/60 Hz
- Power Factor: >0.9
- Wattage : 8W/10W
- CCT Options: 2700K/3000K/4000K/5000K
- Efficacy: 65lm/W
- CRI: >90
- Dim: Triac dimmable
- IP Rank: IP40
- Base : E26/GU24
- Lifetime : 50,000 hours

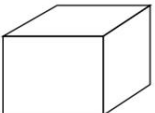
CERTIFICATES

- Energy Star
- ETL



Size	Model	Watts	Color	Lumen	Equivalent	Base
4 inch	4HV08-XXLR	8W	2700K/3000K/4000K/5000K	520lm	50W	E26/GU24
4 inch	4HV10-XXLR	10W	2700K/3000K/4000K/5000K	650lm	65W	E26/GU24

PACKAGE

	60pcs/CTN
	G.W.: 37.2lbs / 18.9kg
	Dimension: 18.9"x16.5"x17.3"
	480mmx420mmx440mm

